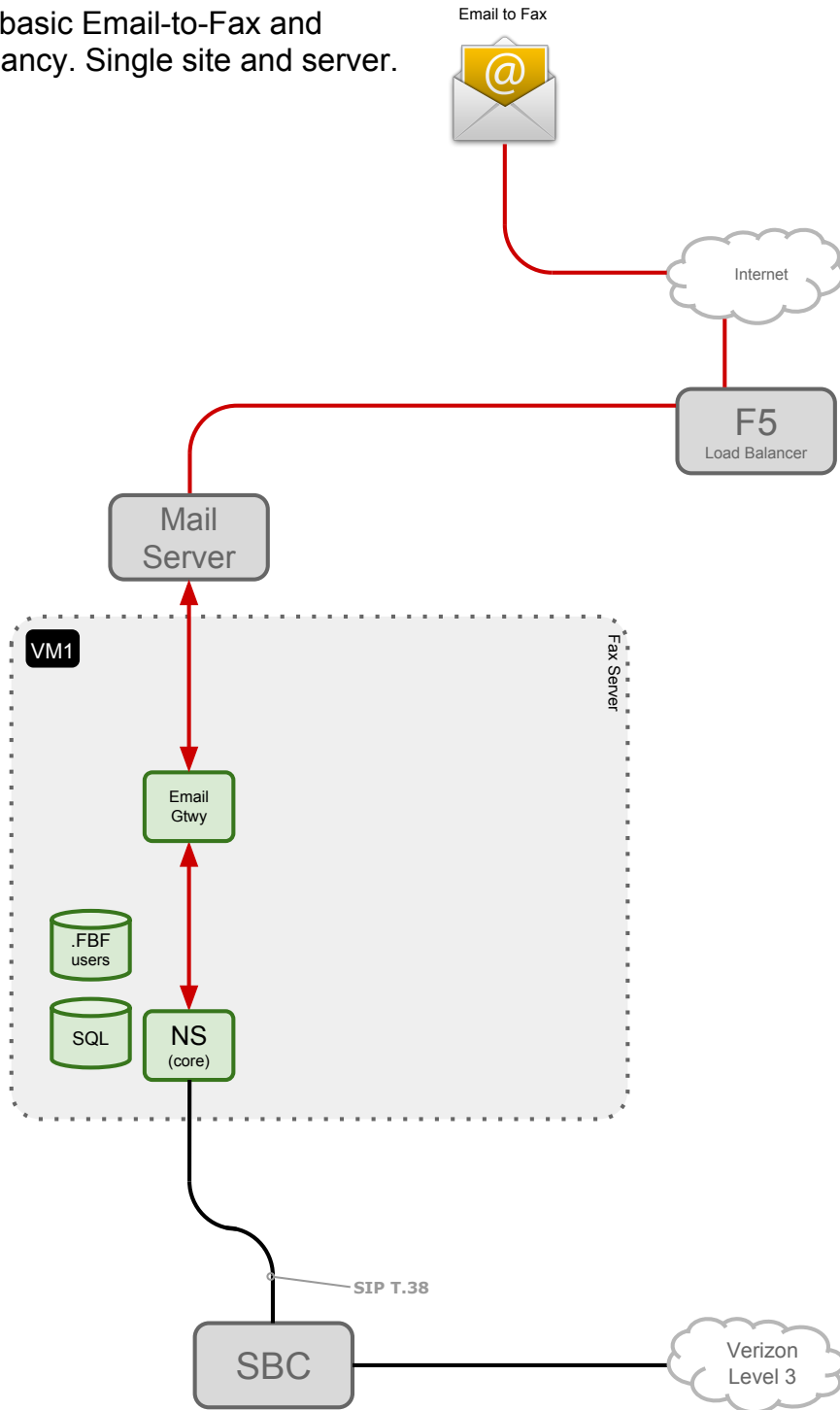


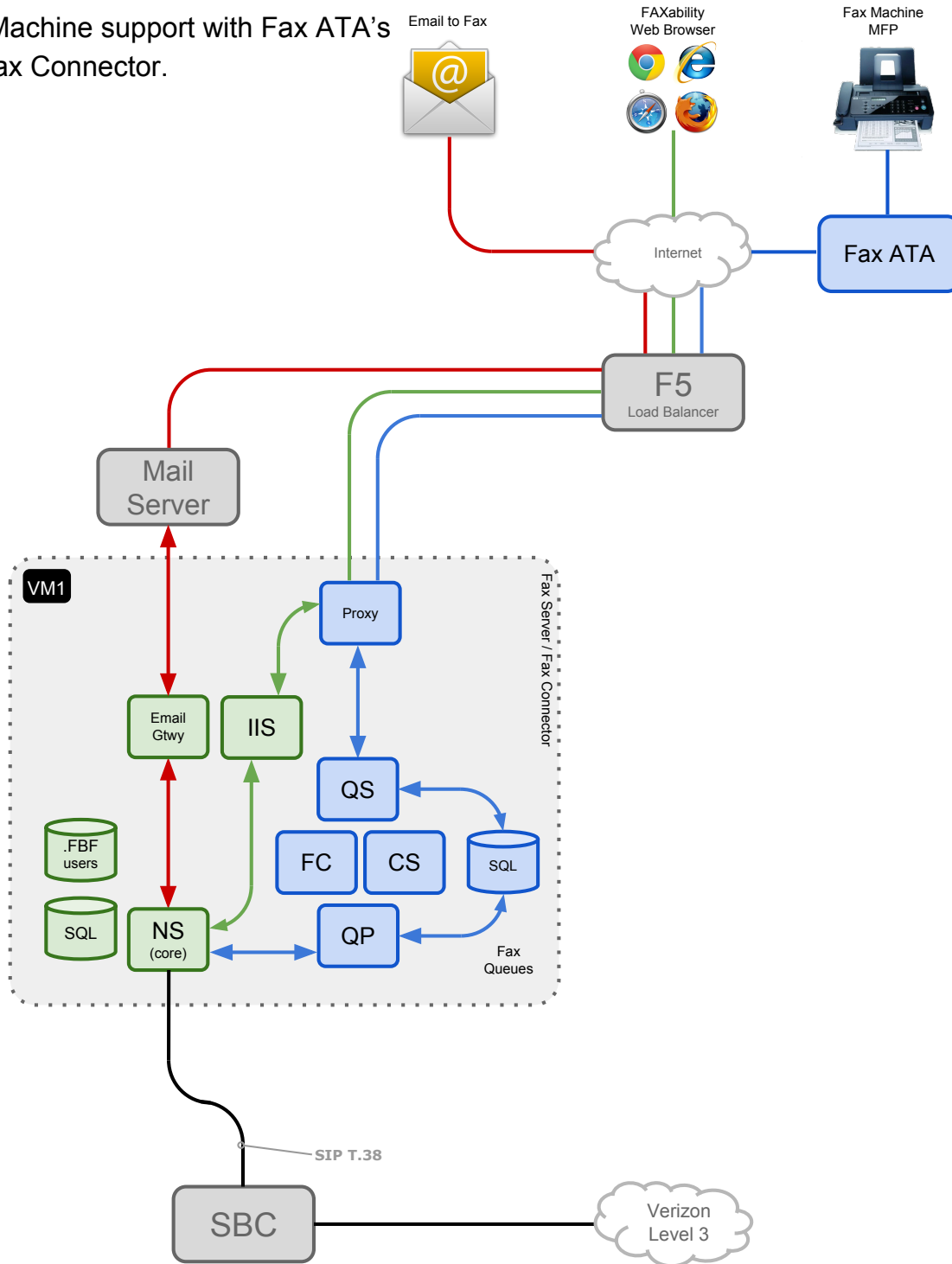
1. Start with basic Email-to-Fax and no redundancy. Single site and server.

Site A



3. Add Fax Machine support with Fax ATA's and the Fax Connector.

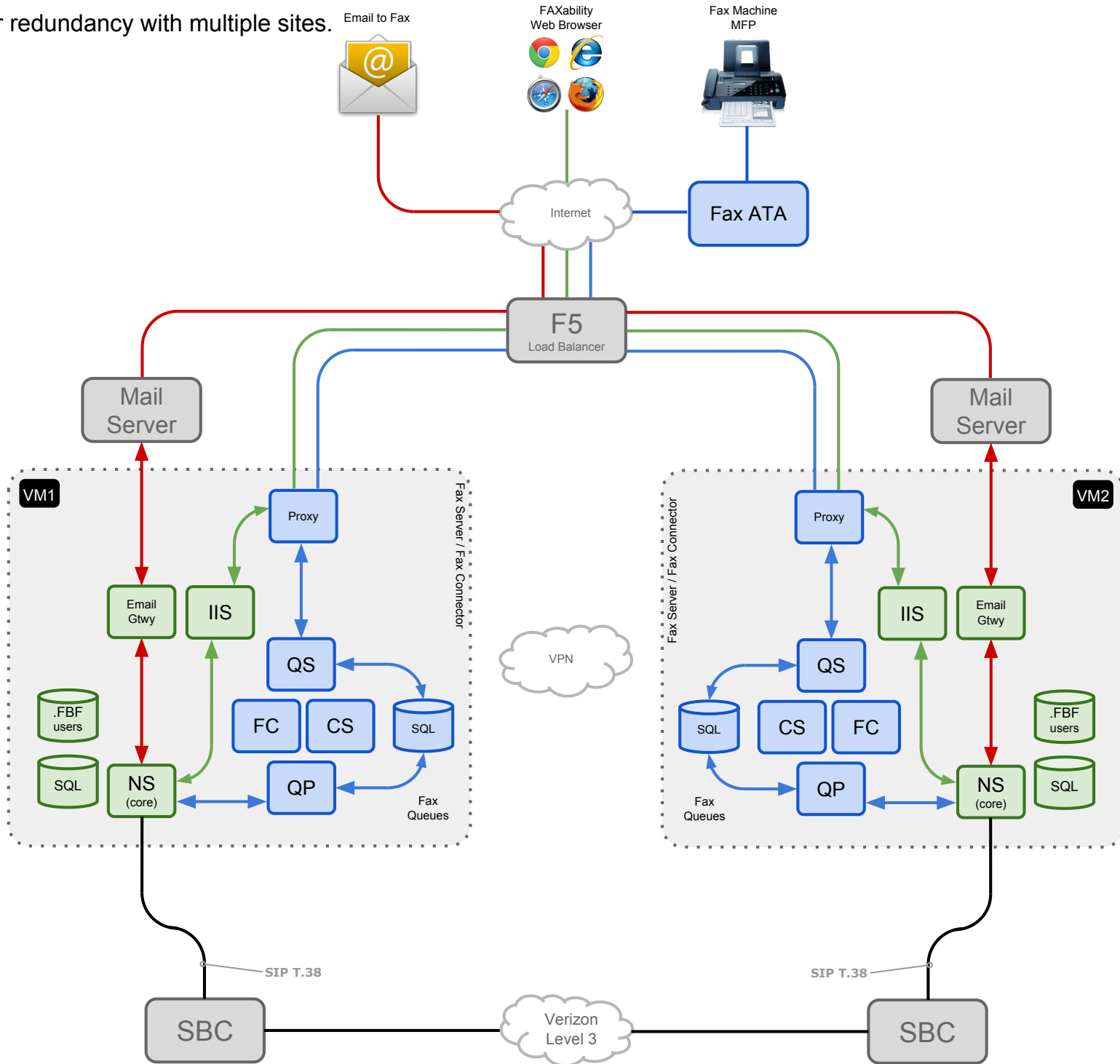
Site A



4. Add HA or redundancy with multiple sites.

Site A
East

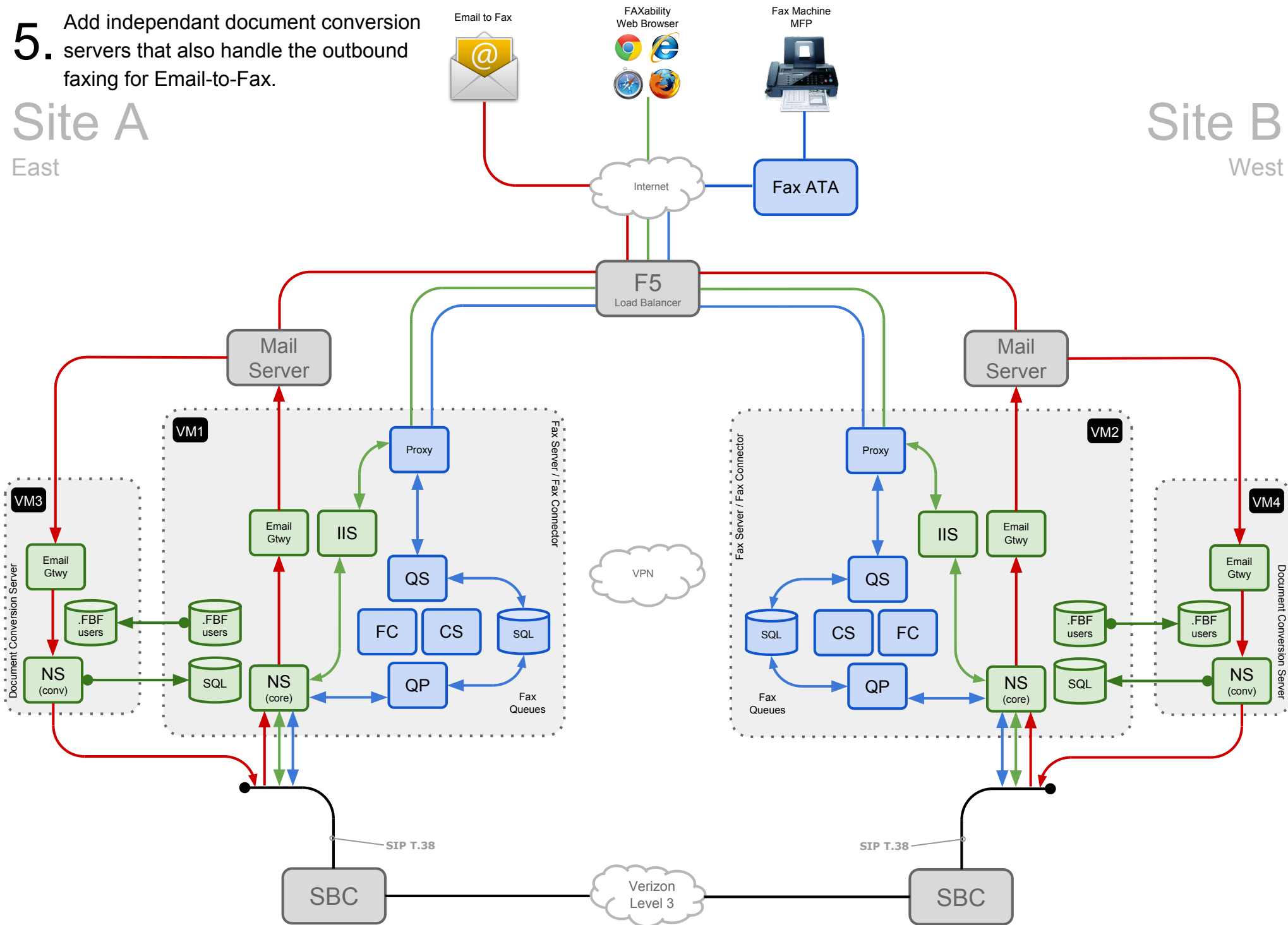
Site B
West



5. Add independent document conversion servers that also handle the outbound faxing for Email-to-Fax.

Site A
East

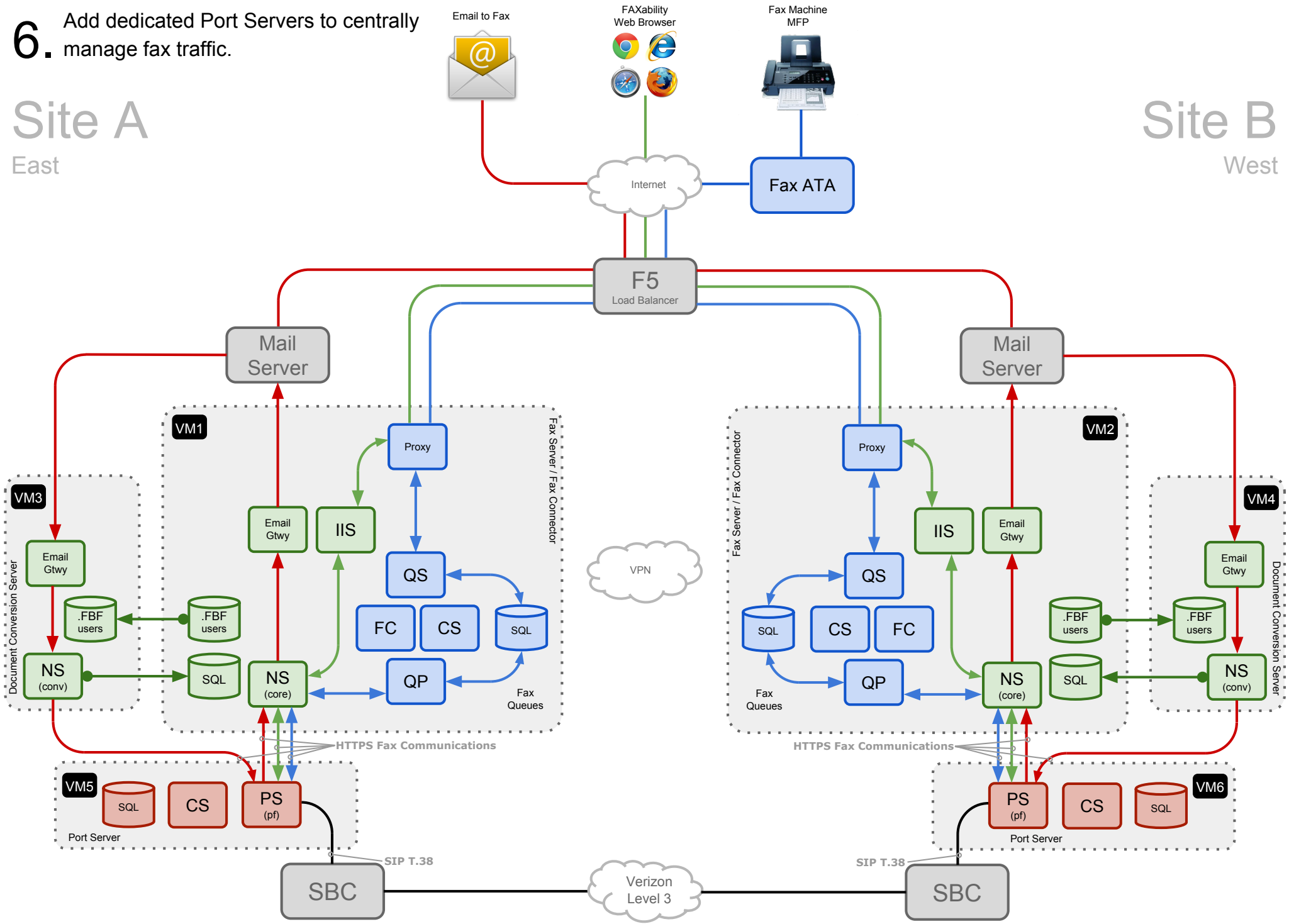
Site B
West



6. Add dedicated Port Servers to centrally manage fax traffic.

Site A
East

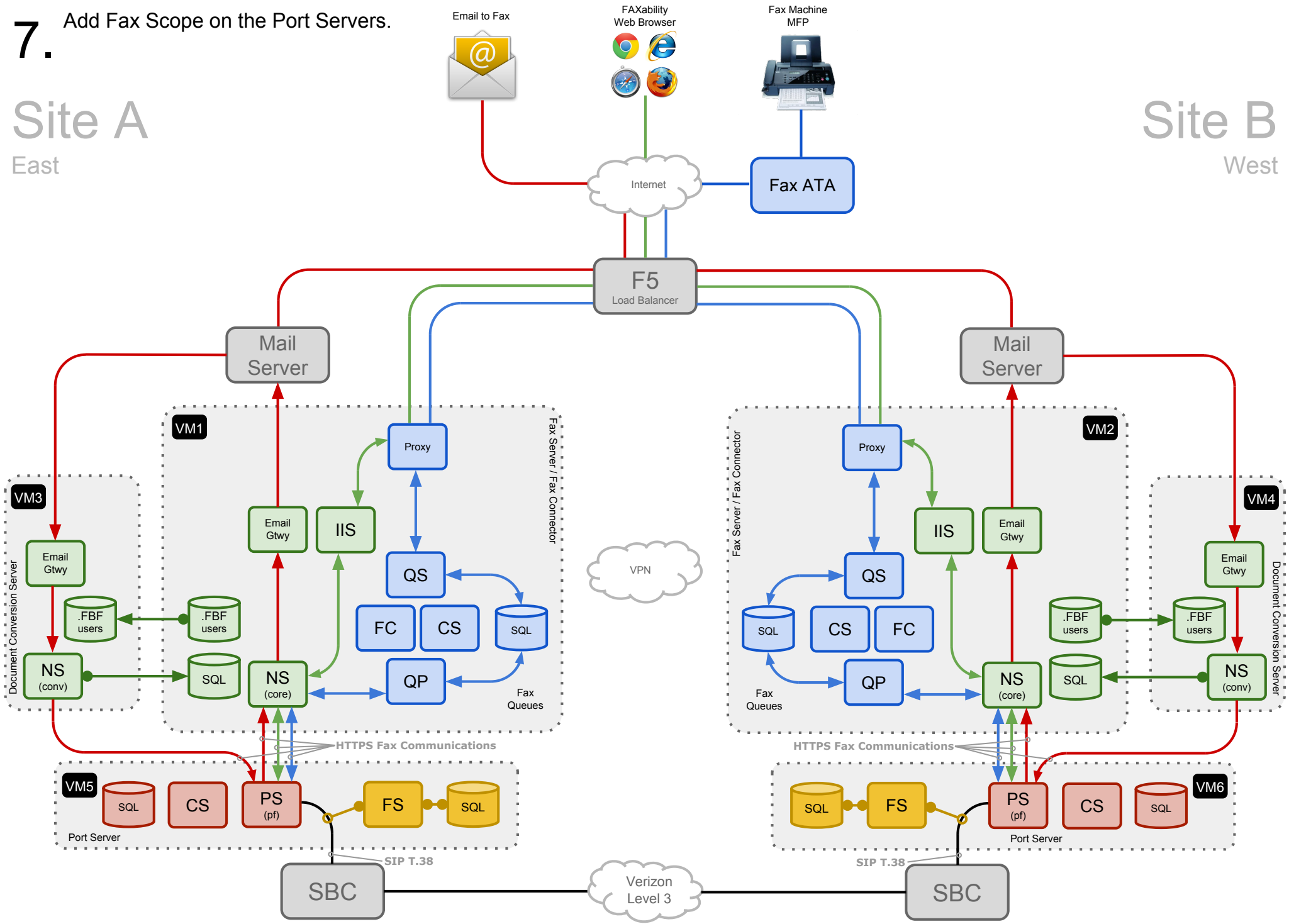
Site B
West



7. Add Fax Scope on the Port Servers.

Site A
East

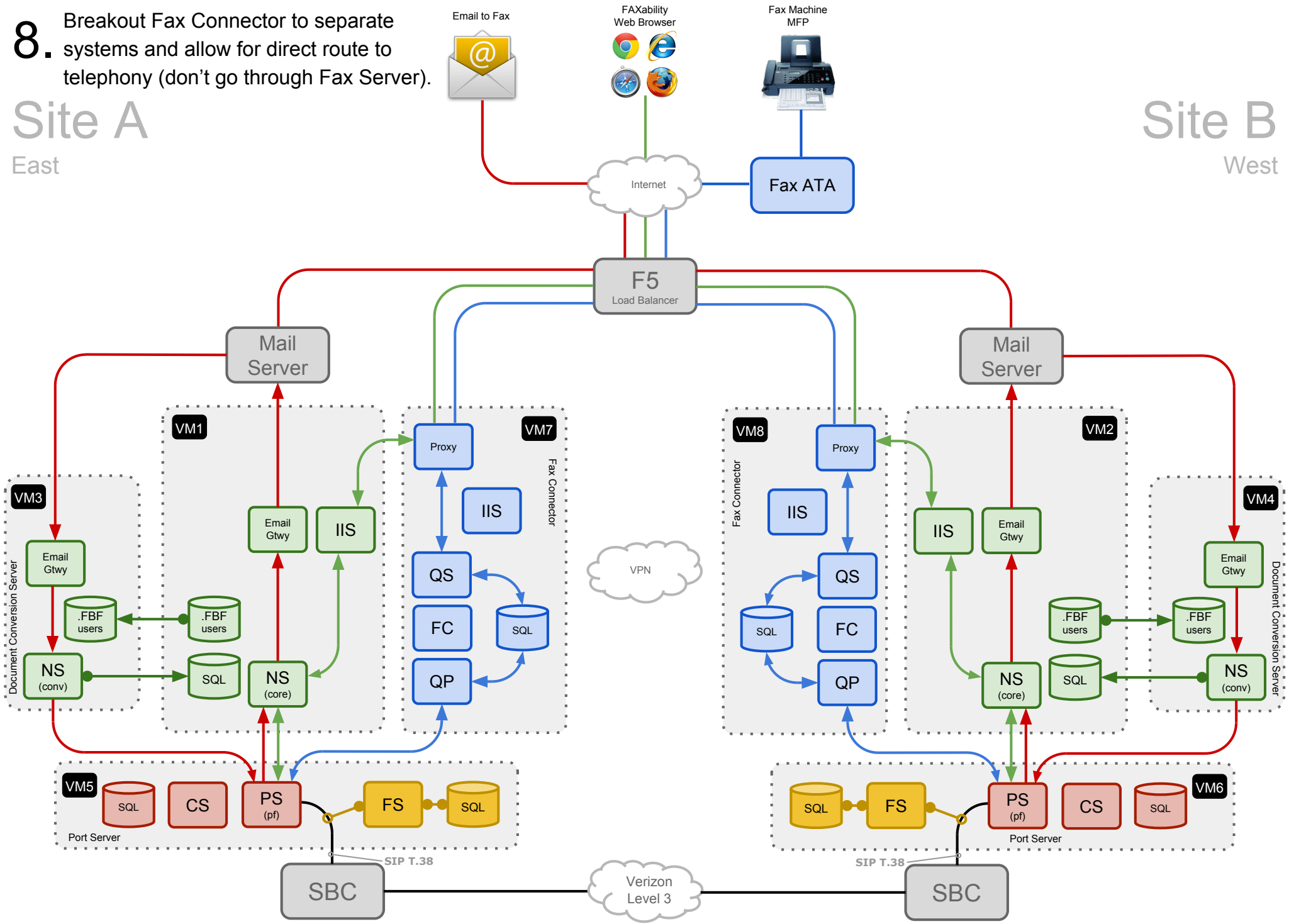
Site B
West



8. Breakout Fax Connector to separate systems and allow for direct route to telephony (don't go through Fax Server).

Site A
East

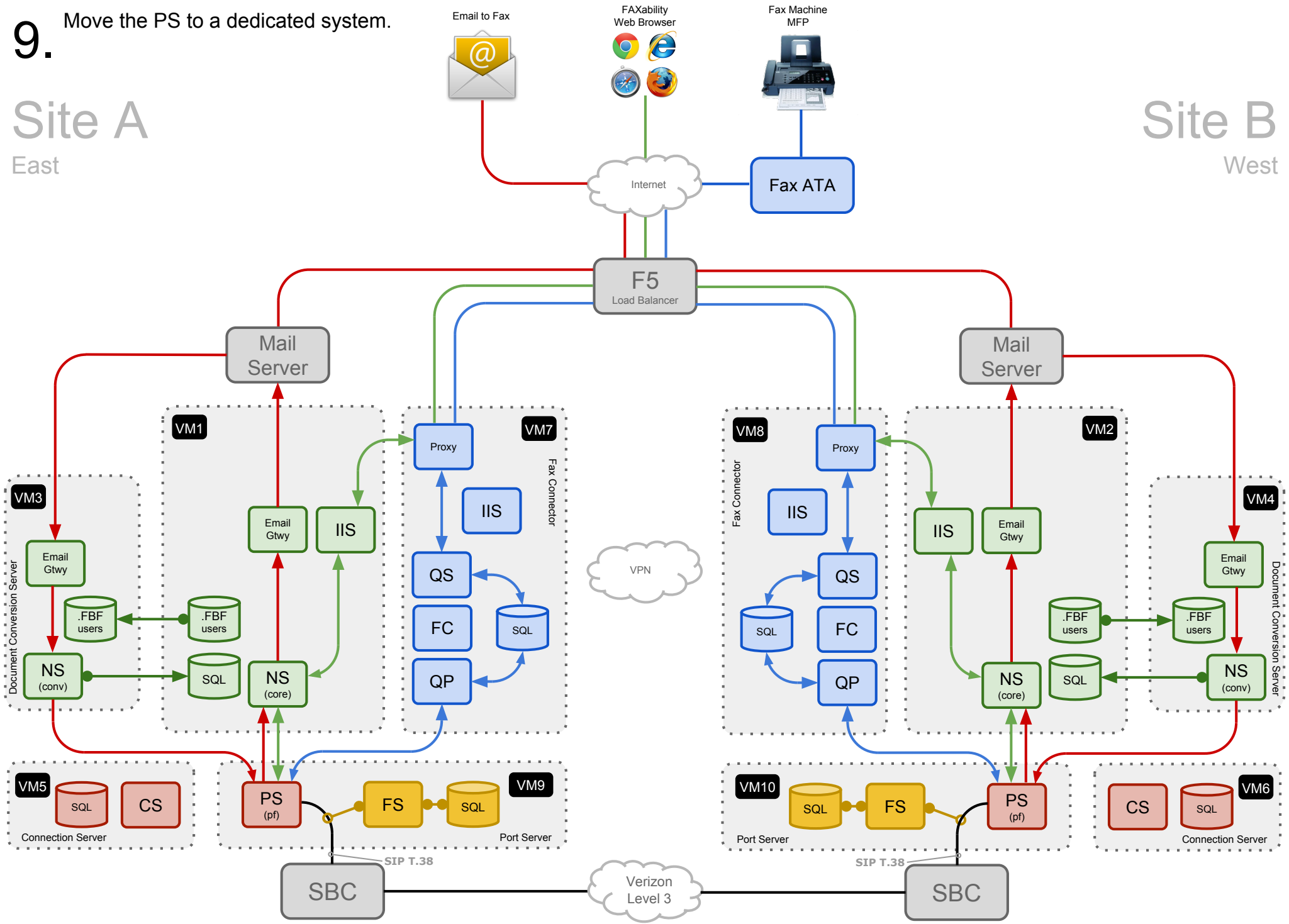
Site B
West



9. Move the PS to a dedicated system.

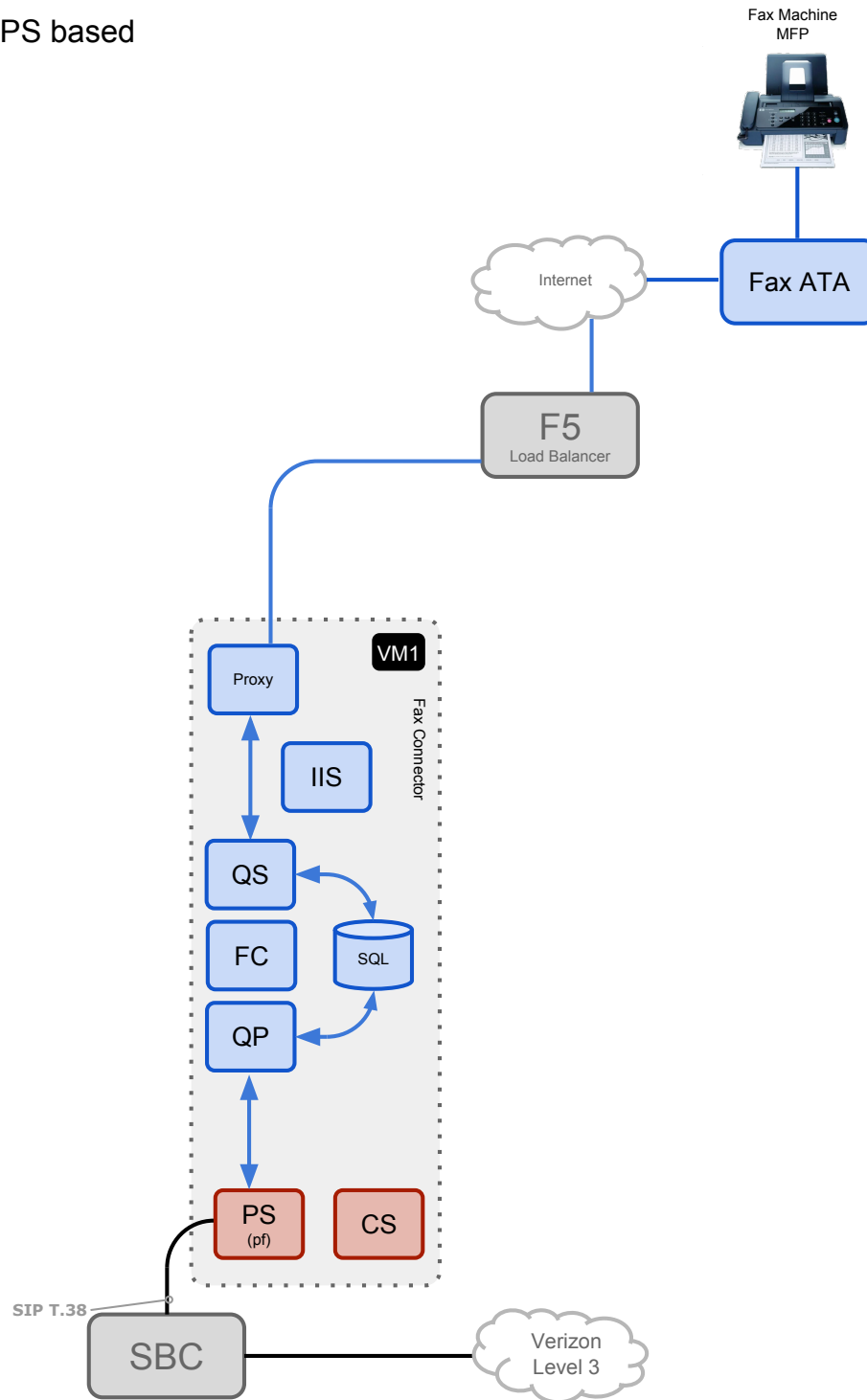
Site A
East

Site B
West



10. Basic dedicated CS/PS based Fax Connector

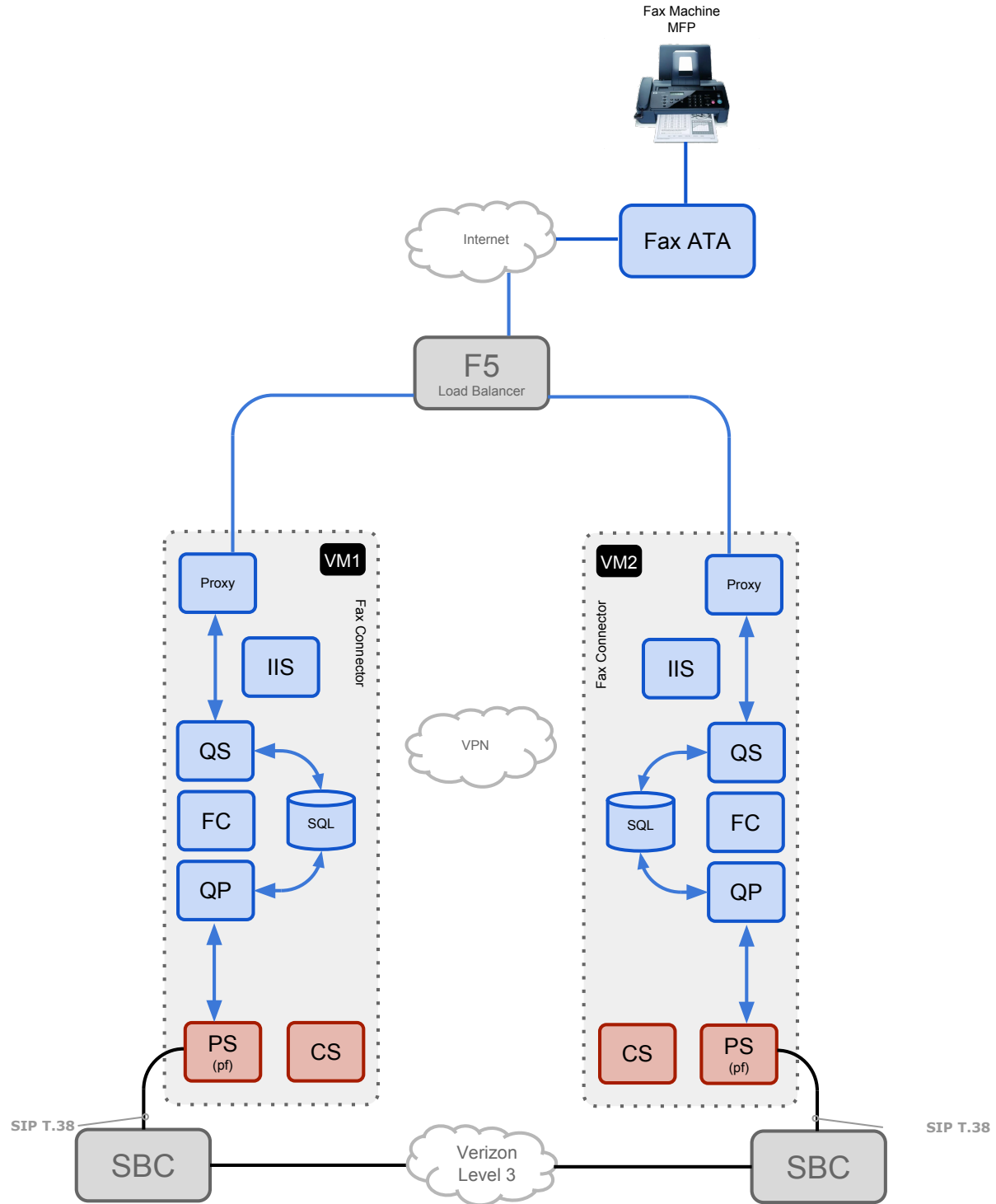
Site A



11. Add HA

Site A
East

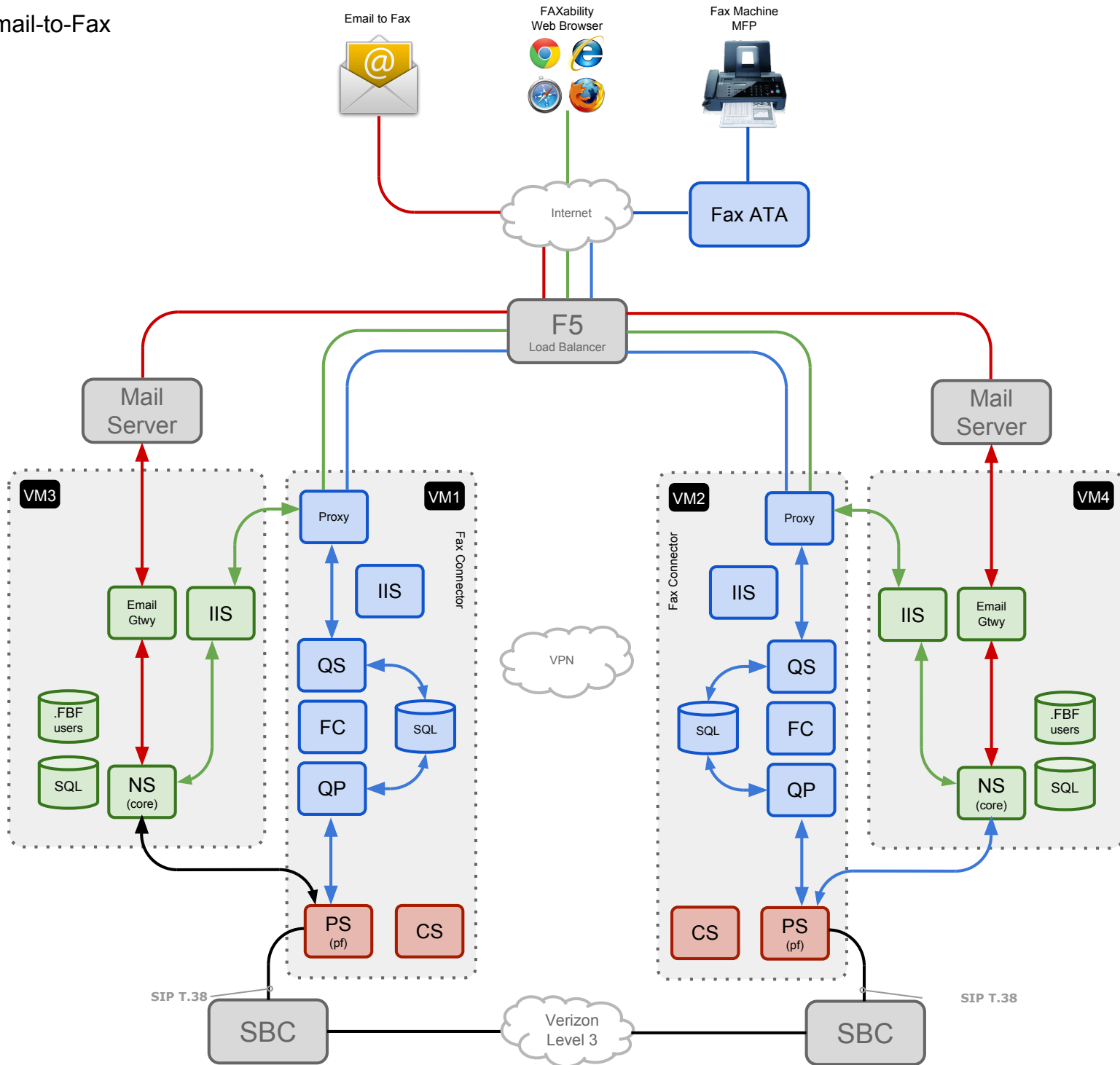
Site B
West



12. Add Email-to-Fax

Site A
East

Site B
West



13. Break out PS to dedicated system and add Fax Scope.

Site A
East

Site B
West

